

FANS

**F 800, F 1000
F 1200, F 1800
F 3000, F 5000
F8000
C 600**



FUMEX fans are designed to operate reliably in polluted air (e.g. welding fumes, exhaust fumes etc.) with no deterioration in performance. The self-cleaning impellers reduce the risk for any out-of balance condition.

The impeller design which uses straight blades in cast aluminium alloy gives spark-free performance. This does not apply to fan type C600.

The exhaust direction is easily changed by adjusting the mounting bracket or the fan casing.

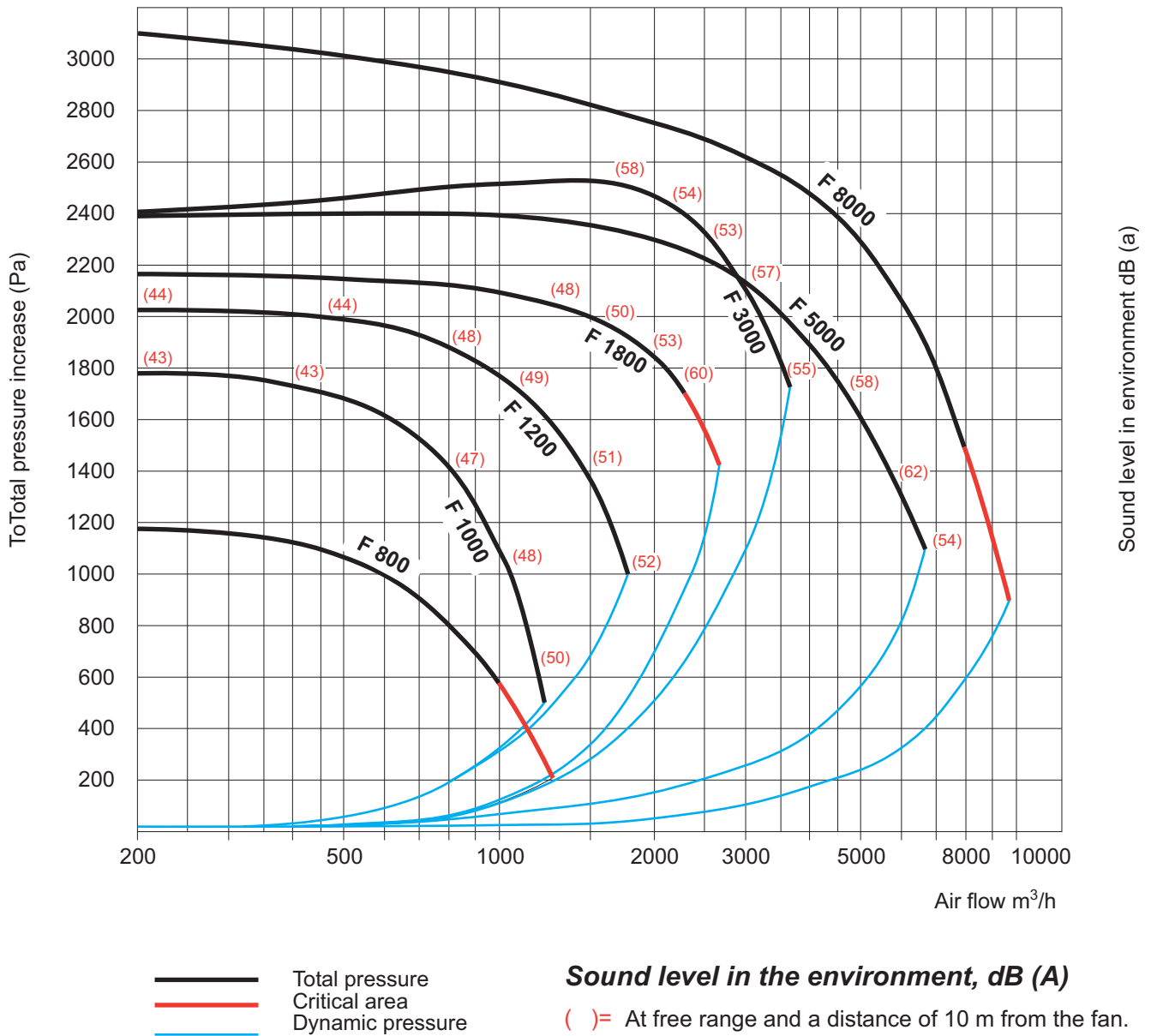
The fan is mounted in a powder-coated sheet steel housing which is rated for indoor or outdoor use.

Fumex also offers a range of local extractors, accessories ,automatic control devices and filters for our fans.

FUMEX®
LOCAL EXTRACTOR
Pure advantage

PERFORMANCE

Sound data in brackets



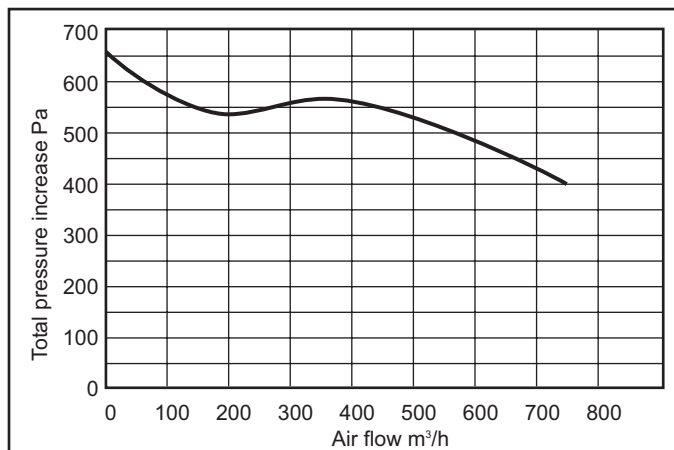
— Total pressure
— Critical area
— Dynamic pressure

Sound level in the environment, dB (A)

() = At free range and a distance of 10 m from the fan.

For sound to duct, see separate computer sheet.

C 600



Designation	No of revs	Rated power	Rated current		Voltage	Weight	
			A 1 -phase 230 V	A 3 -phase 230 V 400 V			
	rpm	kW			V	Kg	
F 800 -3	2800	0.37		1.68	0.97	230/400	11
F 800 -1	2800	0.37	2.75			230	12
F 1000 -3	2800	0.55		2.3	1.33	230/400	11
F 1000 -1	2800	0.55	3.6			230	13
F 1200 -3	2800	0.75		3.11	1.8	230/400	15
F 1200 -1	2800	0.75	5.1			230	17
F 1800 -3	2800	1.1		4.1	2.37	230/400	24
F 1800 -1	2800	1.1	7.3			230	25
F 3000	2800	2.2		7.9	4.6	230/400	32
F 5000	2800	4.0		13.5	7.8	400/690	52
F 8000	2800	7.5		23.9	13.8	400/690	85
C 600 3	2800	0.25		1.2	0.7	230/400	7
C 600 1	2770	0.25	2.0			230	6

FANS F

Fan casing

Made of powder coated sheet steel.

Impellers

T-impellers made of cast aluminium alloy.

Motor

3-phase or single phase asynchronous motors. Housing rated IP 55. Insulation class B up to 1.1 kW, class above 1.1 kW, class F.

Versions available on request include other voltages, two-speed and explosion proof.

Accessories

The FUMEX range also includes contactors and manually operated protective motor switches.

Where variable fan speeds are required, use the FUMEX electronic controller FO, which may be combined with the pressure regulator T100 to optimise fan performance. See sales sheet Control Units.

Other information

Fans F-1000 and F-1200 are supplied complete with mounting brackets. Other versions have integrated mounting fittings.

FUMEX may also supply larger fans on request. Our range includes e.g. polypropene fans. See separate sales sheet Plastic fans.

FANS C

Fan casing

Made of powder coated sheet steel.

Impellers

F-impellers made of steel plate coated with zinc.

Motor

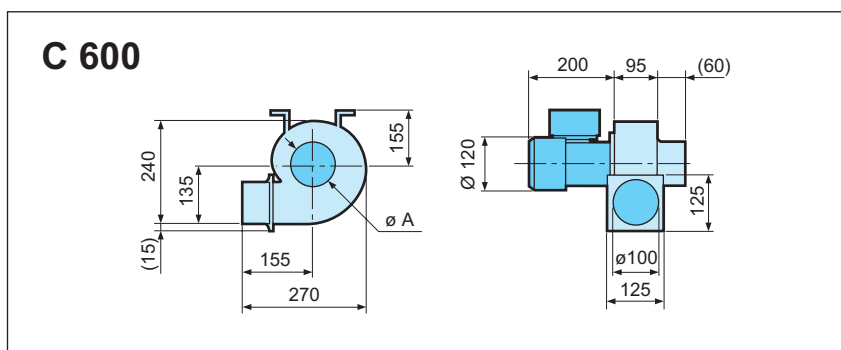
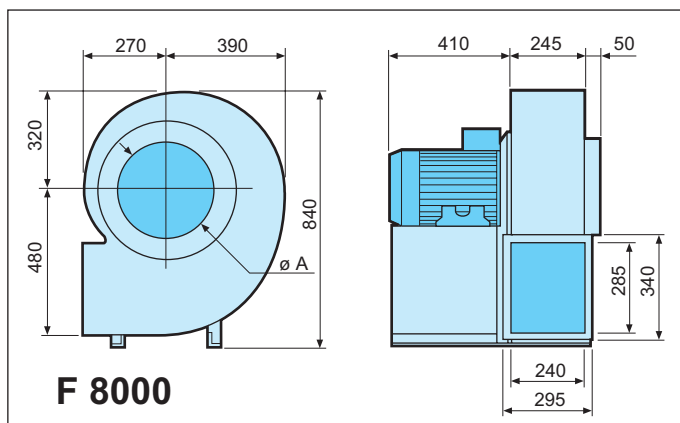
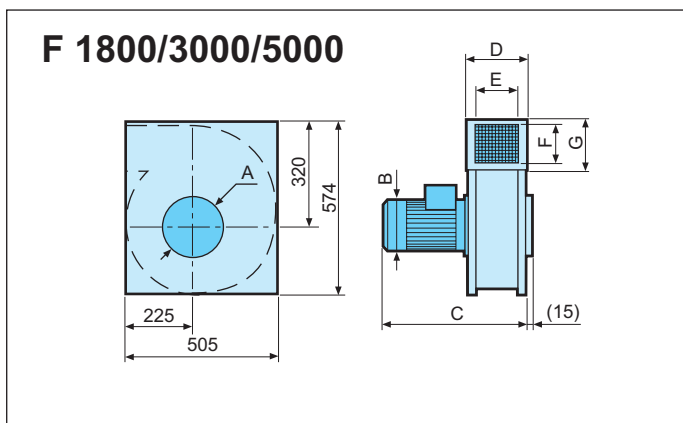
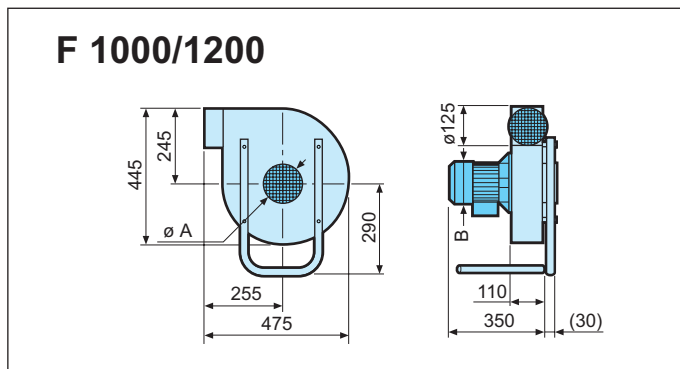
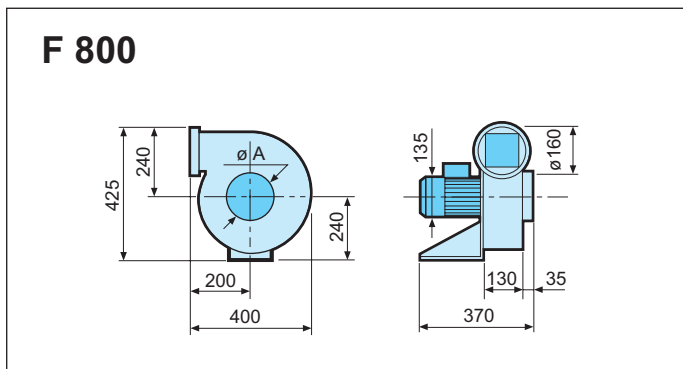
3-phase or single phase asynchronous motors. Housing rated IP 54. Insulation Class B.

Accessories

The FUMEX range also includes contactors and manually operated protective motor switches.

Where variable fan speeds are required, use the FUMEX electronic controller FO, which may be combined with the pressure regulator T100 to optimise fan performance. See sales sheet Control Units.

F 800, 1000, 1200, 1800, 3000, 5000, 8000, C 600



Designation	Measurement						
	A	B	C	D	E	F	G
F 800	$\varnothing 160$	-	-	-	-	-	-
F 1000	$\varnothing 125$	$\varnothing 135$	-	-	-	-	-
F 1200	$\varnothing 125$	$\varnothing 150$	-	-	-	-	-
F 1800	$\varnothing 160$	$\varnothing 160$	340	160	110	140	165
F 3000	$\varnothing 200$	$\varnothing 180$	490	190	140	140	165
F 5000	$\varnothing 315$	$\varnothing 230$	610	290	240	195	220
F 8000	$\varnothing 315$	-	-	-	-	-	-
C 600	$\varnothing 100$	-	-	-	-	-	-